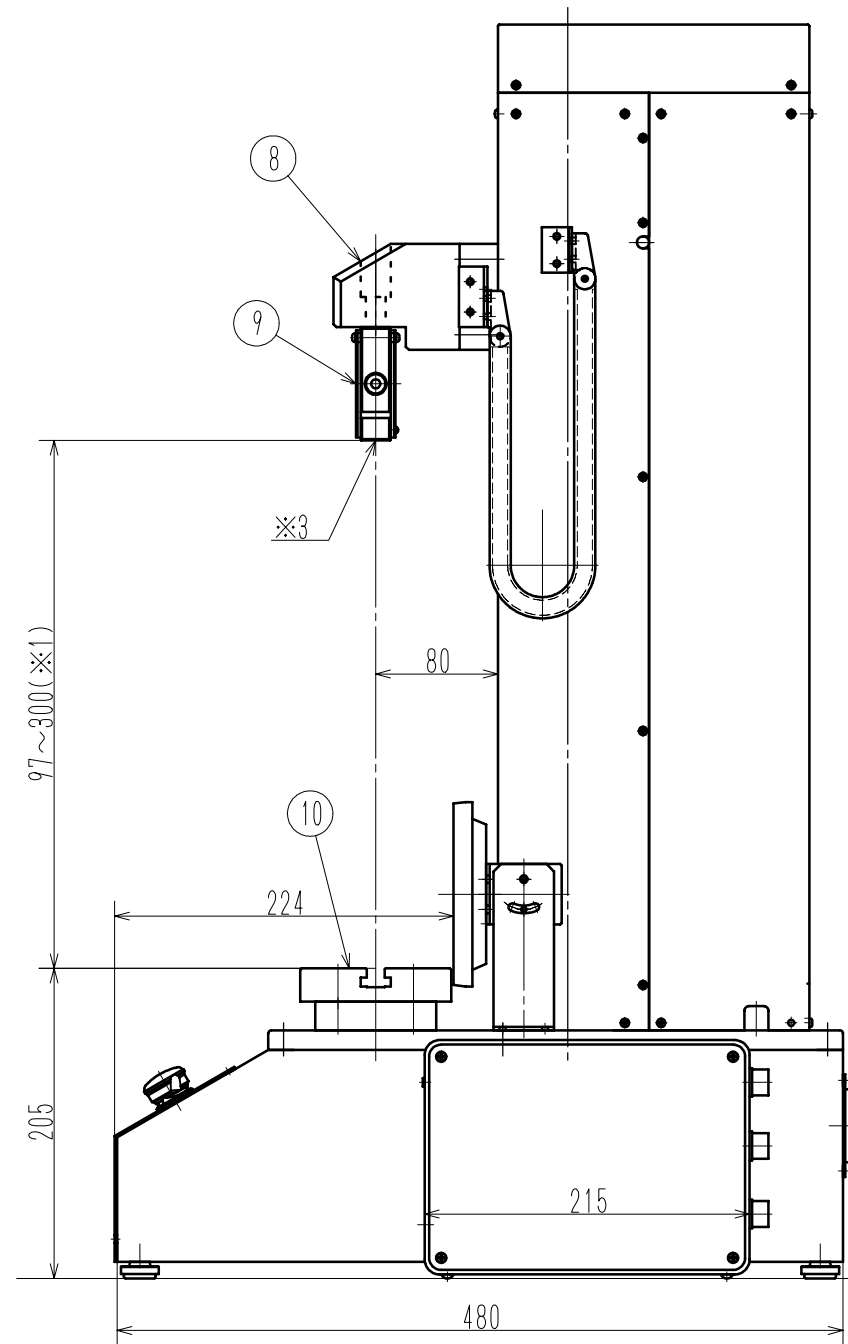
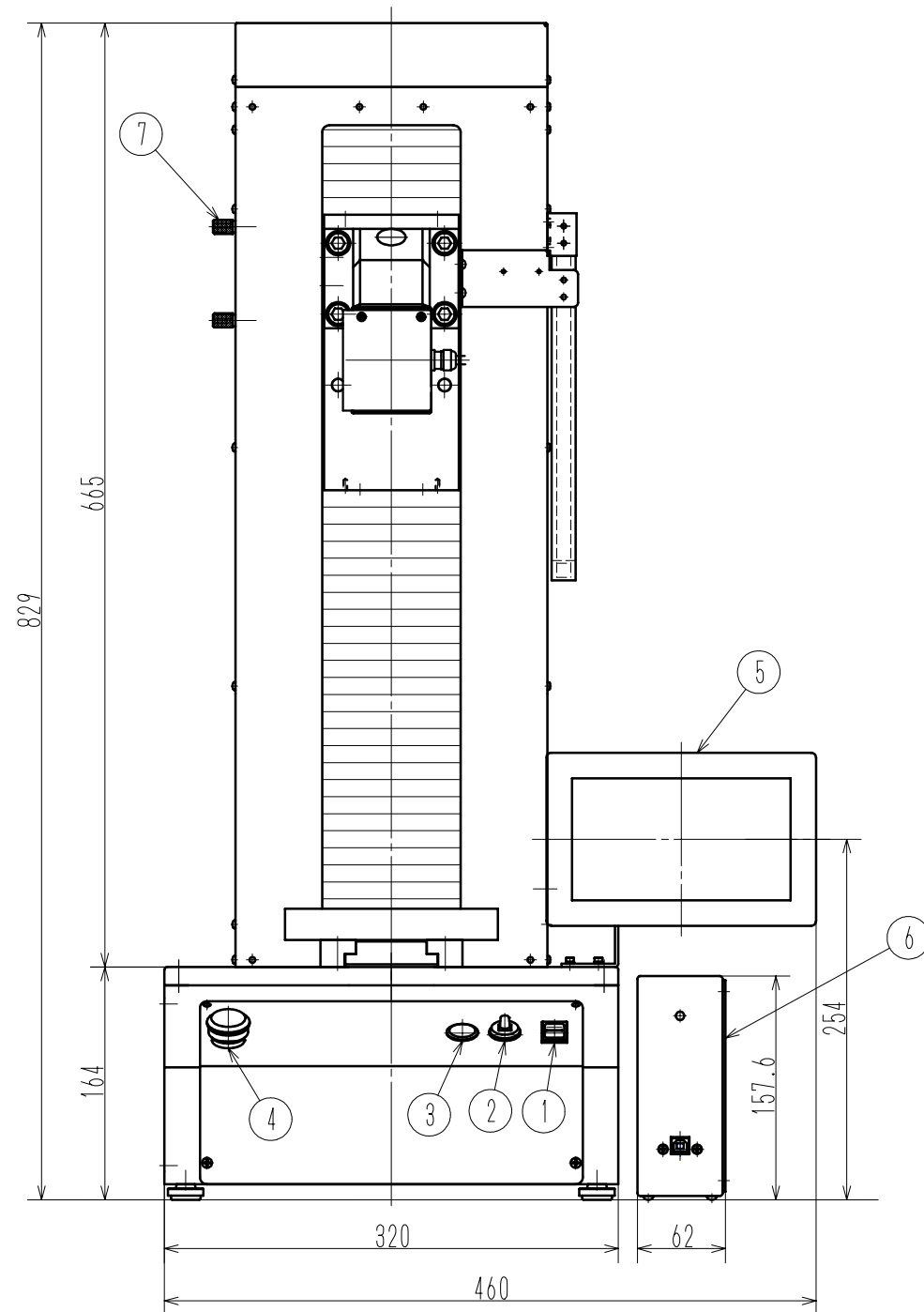


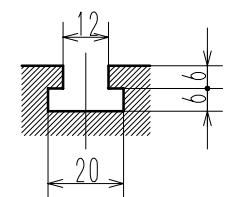
	変更内容 Contents of Change	変更日 Date
△1		
△2		
△3		

NAME	
①	Power Switch
②	Up/Down Switch
③	HI Switch
④	Emergency Stop Switch
⑤	Touch display
⑥	Measure Amp Unit SL-6003A *2
⑦	Upper-Lower Limit Switch
⑧	Loadcell Head
⑨	Loadcell *3
⑩	Mounting Base *4
⑪	

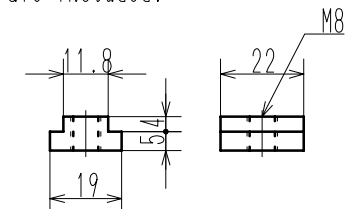


- \*1  
An effective stroke is decided by selection of an attachment.
- \*2  
Unit SL-6003 may replace Type B with a width of 88 mm.
- \*3  
The thread diameter of the load cell depends on the UTM model.  
Max 1kN or more : M12P1.75 Internal thread  
Max 500N or less : M6P1 External thread

\*4  
T-Groove



Two T-Nuts are included.



			名称 Name	Model SDT-504FS Universal Testing Machine
株式会社 伊田製作所 IMADA SEISAKUSHO Co., Ltd.			図番 Drawig No.	MSA0296
製作日 Date	2020年12月25日	Outline	材料 Material	***
尺度 Scale	1/5	単位 Unit	仕上 Finish	***
	mm		処理 Treatment	***