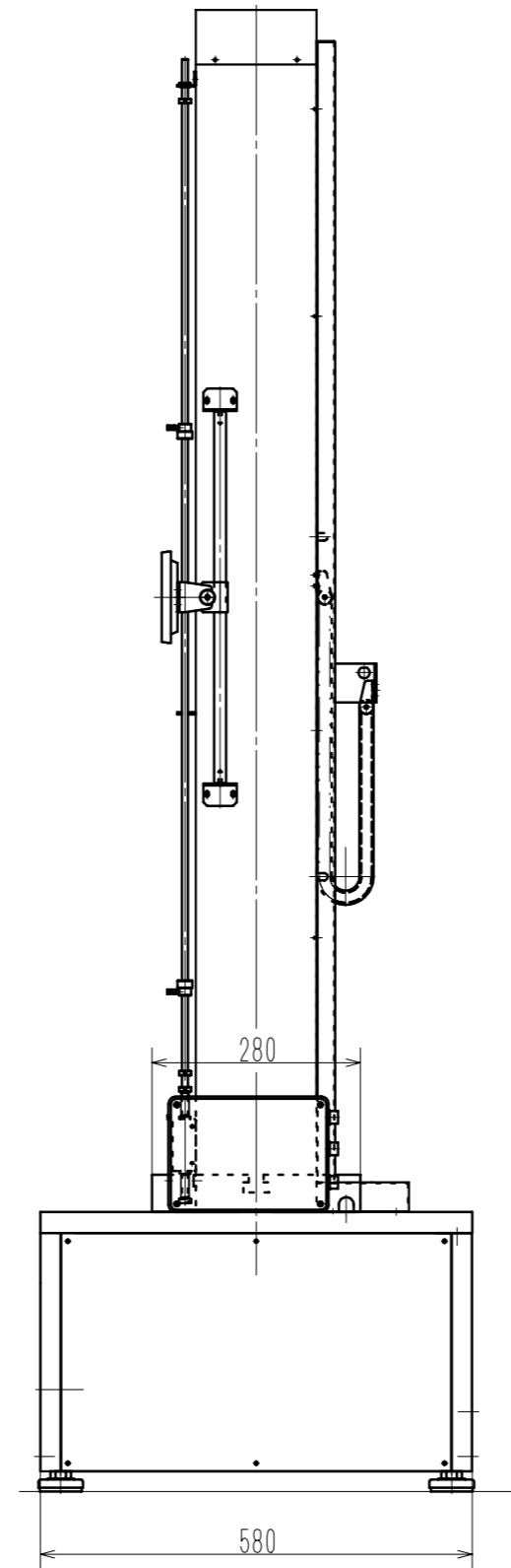
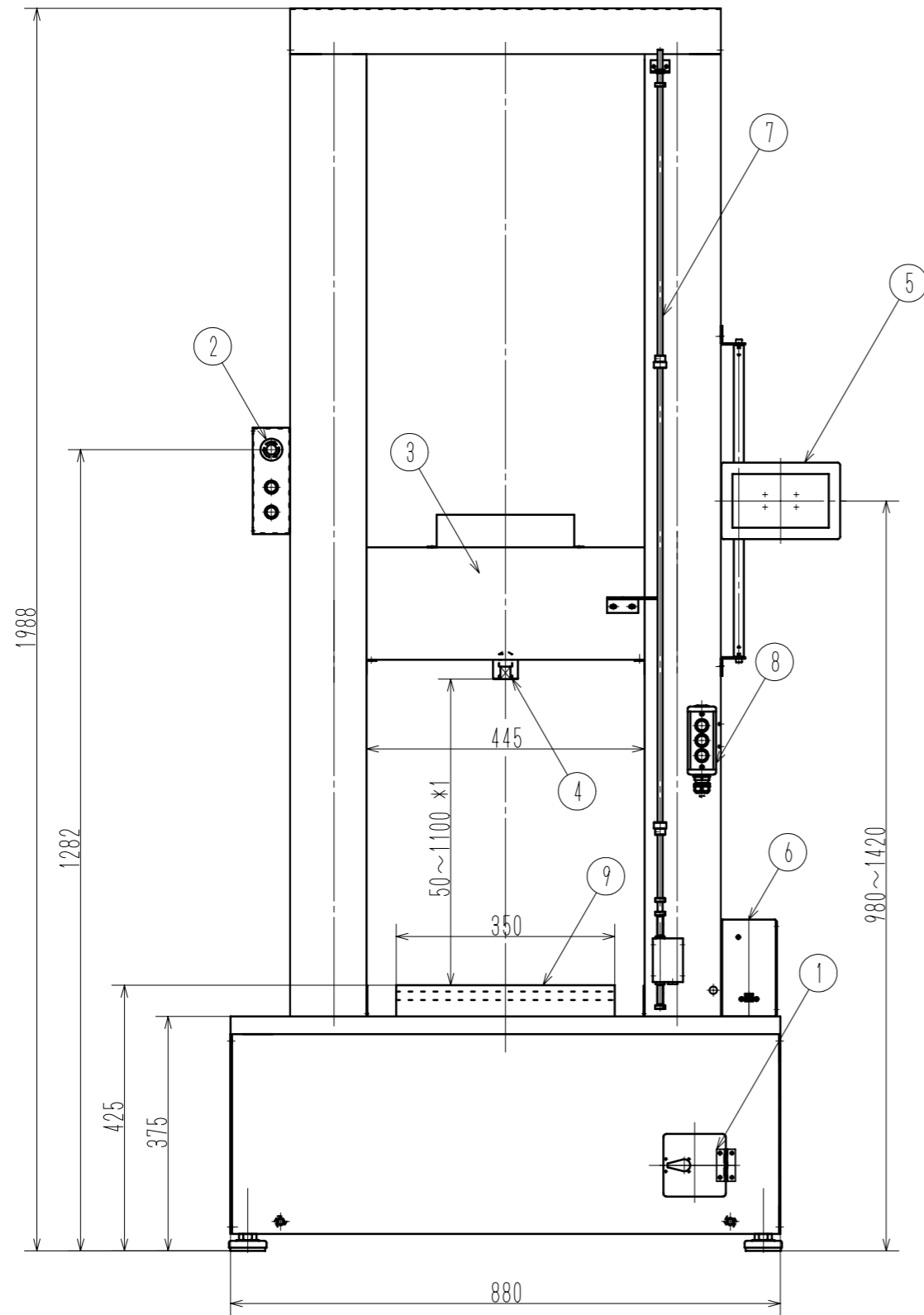


	変更内容 Contents of Change	変更日 Date
△1		
△2		
△3		

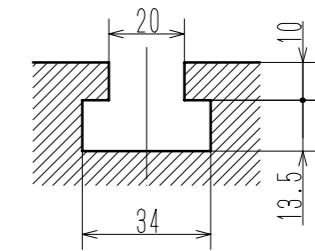
NAME	
①	Main breaker
②	Power box and Emergency Switch
③	Cross Head
④	Loadcell *2
⑤	Touch display
⑥	Measure Amp Unit SL-6003B
⑦	Upper-Lower Limit Switch
⑧	Remote Control Box
⑨	Mounting Base *3



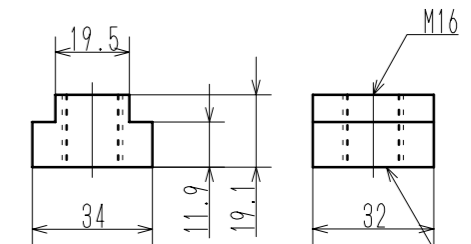
*1
An effective stroke is decided by selection of an attachment.

*2
The load cell is M24P2 Internal thread.


*3
T-Groove



Two T-Nuts are included.



It is not through hole

		名称 Name	Model SDW-050F Universal Testing Mchine
		図番 Drawing No.	MSA0300
製作日 Date	2021年7月5日	材料 Material	***
尺度 Scale	1/10	仕上 Finish	***
単位 Unit	mm	処理 Treatment	***